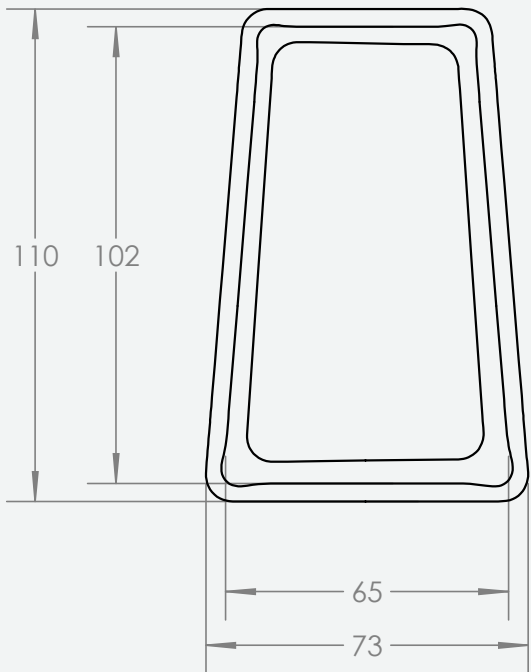
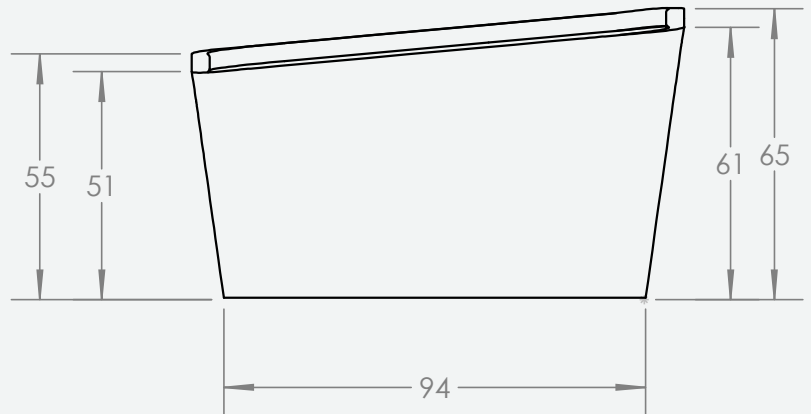


# PRODUCT SPECIFICATIONS



top view



detailed view

## Product Specifications

Outside Dimensions (cm)			Inside Dimensions (cm)	Weight (kg)
L x W	H	Base	L x W	Net
110/73	65	94/53	102/65	11.14

## ORGANICUM

Model. NO.

**7850.110**

**A4**

SHEET 1 OF 1